

## Features

- SONY 1/3" Super HAD Color CCD
- High Resolution of 530TV Lines
- Day & Night Capability with High Sensitivity of 0.01 Lux
- OSD Function & Excellent Auto Tracking White Balance
- Hard Disk Saving with Digital Noise Reduction Technology

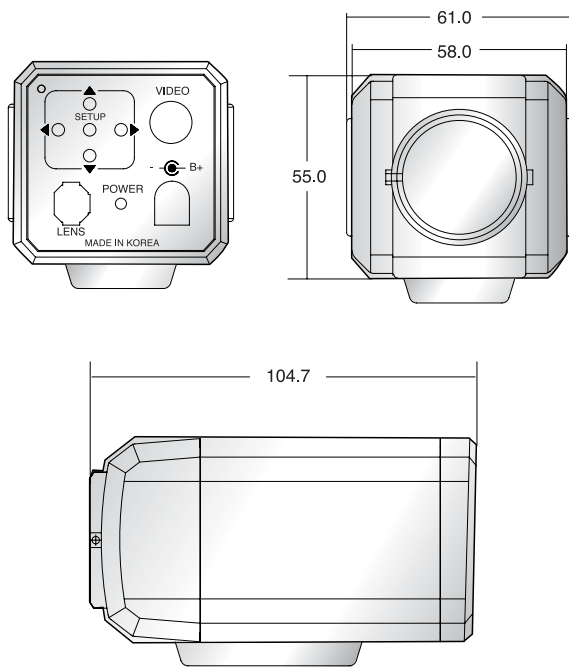


CE FC

# High Resolution Color Camera DCC-500F

530 TV Lines, Low Light(0.01Lux), Day & Night

## Dimensions



(UNIT : mm)

## Technical Specifications

MODEL	DCC-500F(NTSC)	DCC-500F(PAL)
Image Sensor	1/3" Interline Transfer Type Sony CCD	
Total Pixels	811(H)X508(V)	795(H)X596(V)
Effective Pixels	768(H)X494(V)	752(H)X582(V)
Resolution	More than 530 TV lines	
Scanning Frequency	15.734KHz(H), 60(V)	15.625KHz(H), 50(V)
Shutter Speed	1/60~1/100,000 sec	1/50~1/100,000 sec
Min. Illumination	0.01 Lux @F1.2	
Day & Night	D&N Function by Digital Change : Auto/Off	
Shutte	ESL / Manual / Flickerless	
White Balance	ATW / AWC / MANUAL	
BLC	Low / Middle / High / Off	
AGC	Low / Middle / High / Off	
DNR	Auto / Off	
Privacy Zone & Motion Detection	4 Programmable Zone	
Sharpness	On(level : 0 ~ 31) / Off	
Camera ID	On / Off	
S/N Ratio	More than 50dB	
Video Output	Composite video output 75 ohm terminated	
Len Mount	C / CS Mount	
Sync. System	Internal	
Operating Humidity	30 % ~ 90 % RH	
Operating Temp.	-10℃ to 50°	
Dimension	61(W) × 55(H) × 104(D)mm	
Weight	About 400g	
Power Consumption	180mA	
Power Supply	DC 12 V(10.2V~14.5 V)	