



Model 30A00 Thermostat Power Supply Module

DESCRIPTION

The Model 30A00 Thermostat Power Supply Module (TPSM) is used with RC-80 Series Thermostats (RC-8x) in retrofit situations when:

1. the furnace control does not provide enough current to operate the thermostat, as evidenced by a thermostat “reset” when it calls for heating or cooling (when an RC-8x Thermostat resets, the display shows all segments for a few seconds, and then the power-on delay timer is reset) - AND
2. the 5th wire (Common) is not available at the thermostat location

The TPSM contains two current-limited pull up resistors that provide sufficient current to the thermostat, through the existing W (heat) or Y (cool) circuits without drawing (or “robbing”) any current from the furnace control.

INSTALLATION

1. Locate an area on the panel of the HVAC system, indoor furnace or air handler large enough to mount the Model 30A00. The area should be free of obstructions both on the front and back of the panel.
2. Secure the Model 30A00 against the panel using the screws.
3. Wire the Model 30A00 according to Figure 1. Note that the COM terminal shown may also be labeled “X” in some systems. This is the common terminal of the 24 VAC control transformer. (The other terminal of the 24 VAC control transformer is the RED or “hot” terminal.)
4. Test thermostat in both heating and cooling modes.

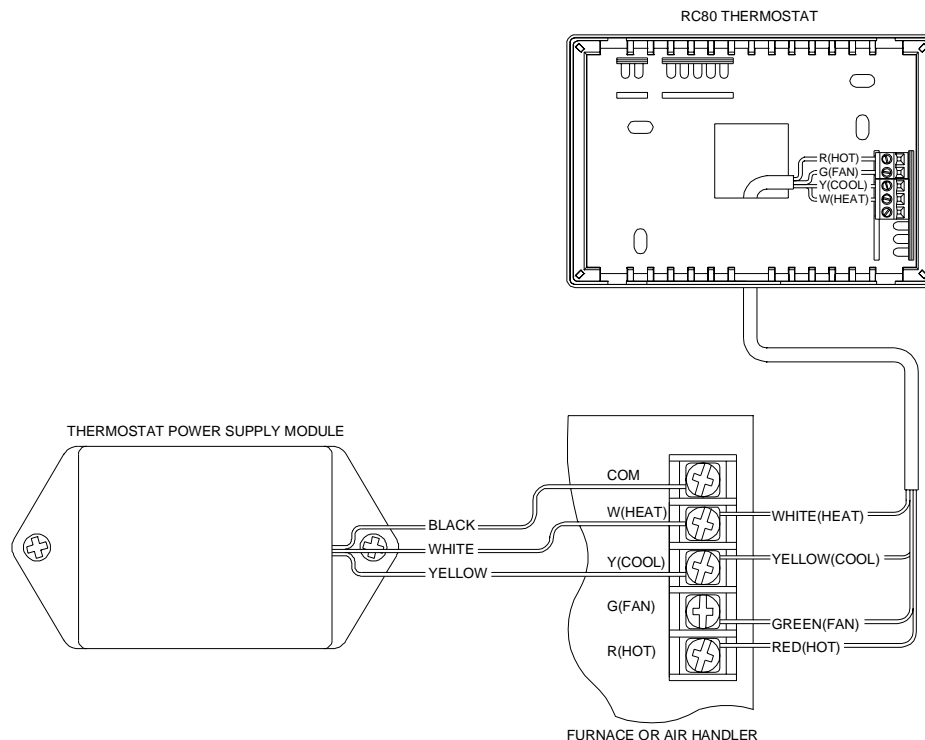


Figure 1